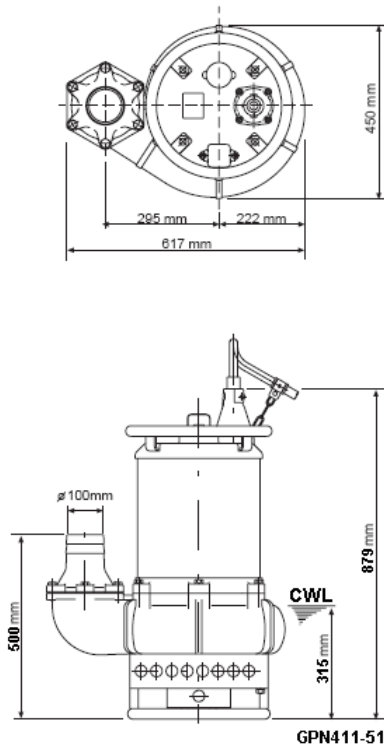
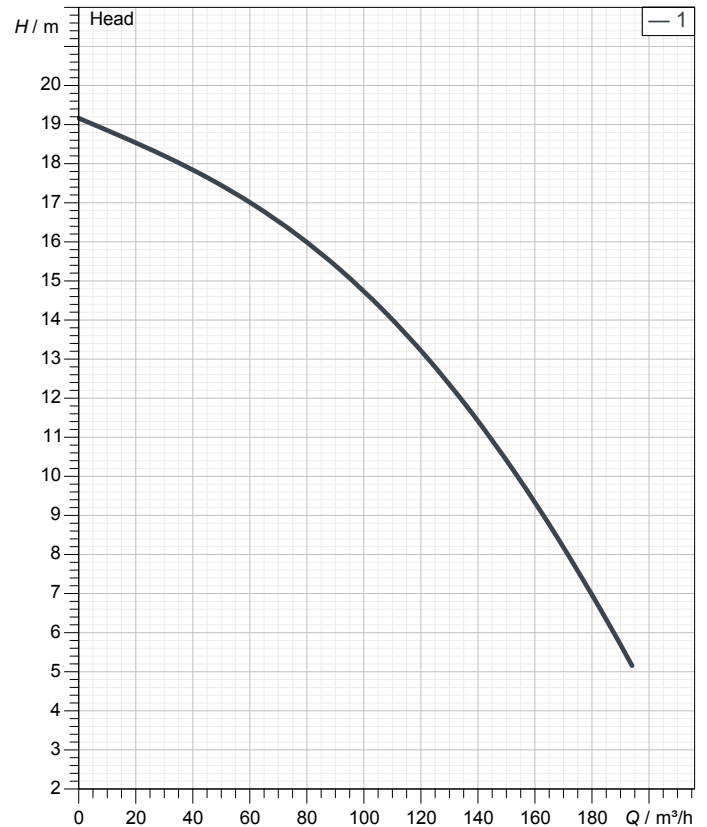


Data sheet GPN411-51



CWL: Continuous running water level



Specification

Electric submersible pump GPN-series
 Degree of protection IP 68
 Pressure resistance max. 20 m
 Type of impeller Open
 Max. solid handling 30 mm
 Suitable for:
 sludge, slurry, liquids containing sand

Electric motor

Dry-type submersible induction motor
 Insulation class B 4 Poles 1450 1/min
 Starting mode Direct starting
 Rated voltage 400 V 50 Hz 3~
 Power uptake 13,21 kW
 Rated power 11,00 kW
 Rated current 22 A
 Start current 163,0 A

Cable

20m NSSHÖU 4Cx4mm²

Motor Protection

Circle thermal protector
 (snap-action bi-metal device)

Shaft seal

Double inside mechanical seal in oil bath
 additional lubrication by oil lifting device
 Primary seal
 Silicon carbide on silicon carbide
 Secondary seal
 SUS420J2 (EN-X30Cr13)

Bearings

Shielded ball bearings, maintenance-free

Materials

Impeller	Chromium iron casting
Agitator	Chromium iron casting
Pump casing	FC200 (EN-GJL-200)
Suction cover	FC200 (EN-GJL-200)
Motor Frame	FC150 (EN-GJL-150)
Shaft	DIN 1.7220 (chromium molybdenum)

Discharge size

4" (100mm) Hose Coupling / BS-coupling (optional)

Weight

217 kg (dry weight of the pump only without cable)

Performance curve

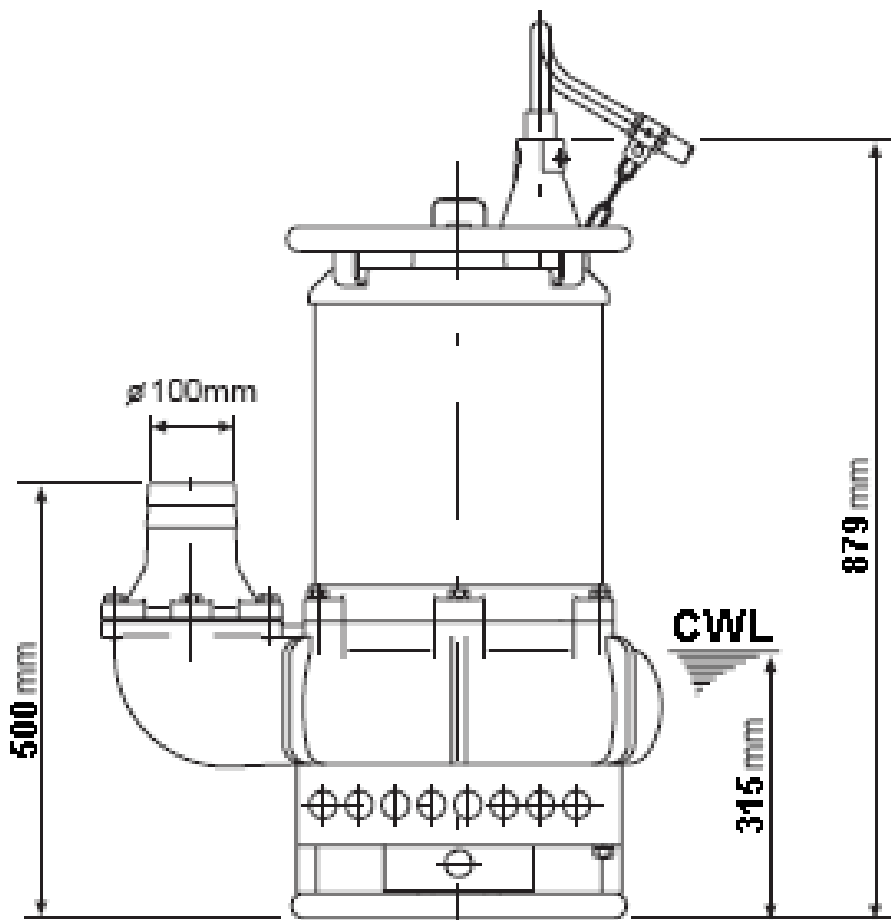
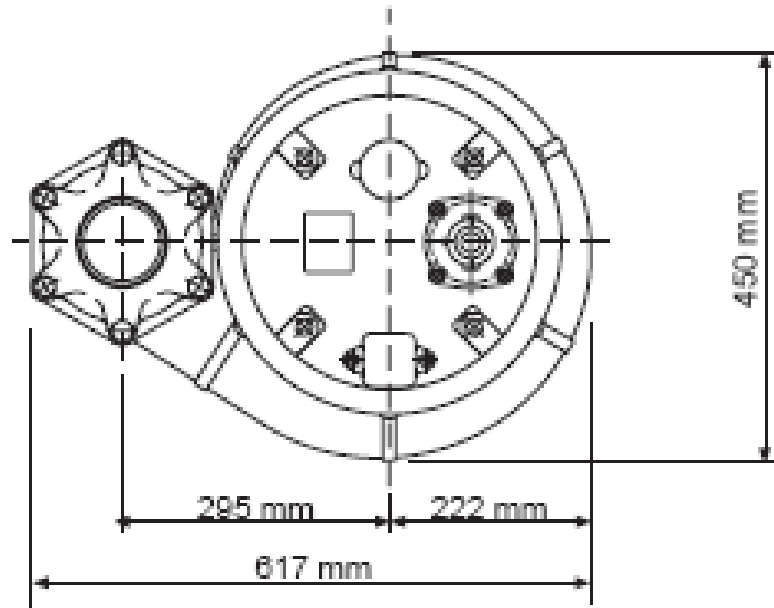
GPN411-51

Discharge port	4"
Head	19,2 m
Flow	194,1 m ³ /h
Rated power	11,00 kW
Power input	13,21 kW
Phases	3~
Voltages	400 V
Frequency	50 Hz
Rated current	22 A
Starting current	163,02 A
Number of poles	4
Speed	1450 1/min
Starting mode	Direct starting
Insulation class	B



Dimensions

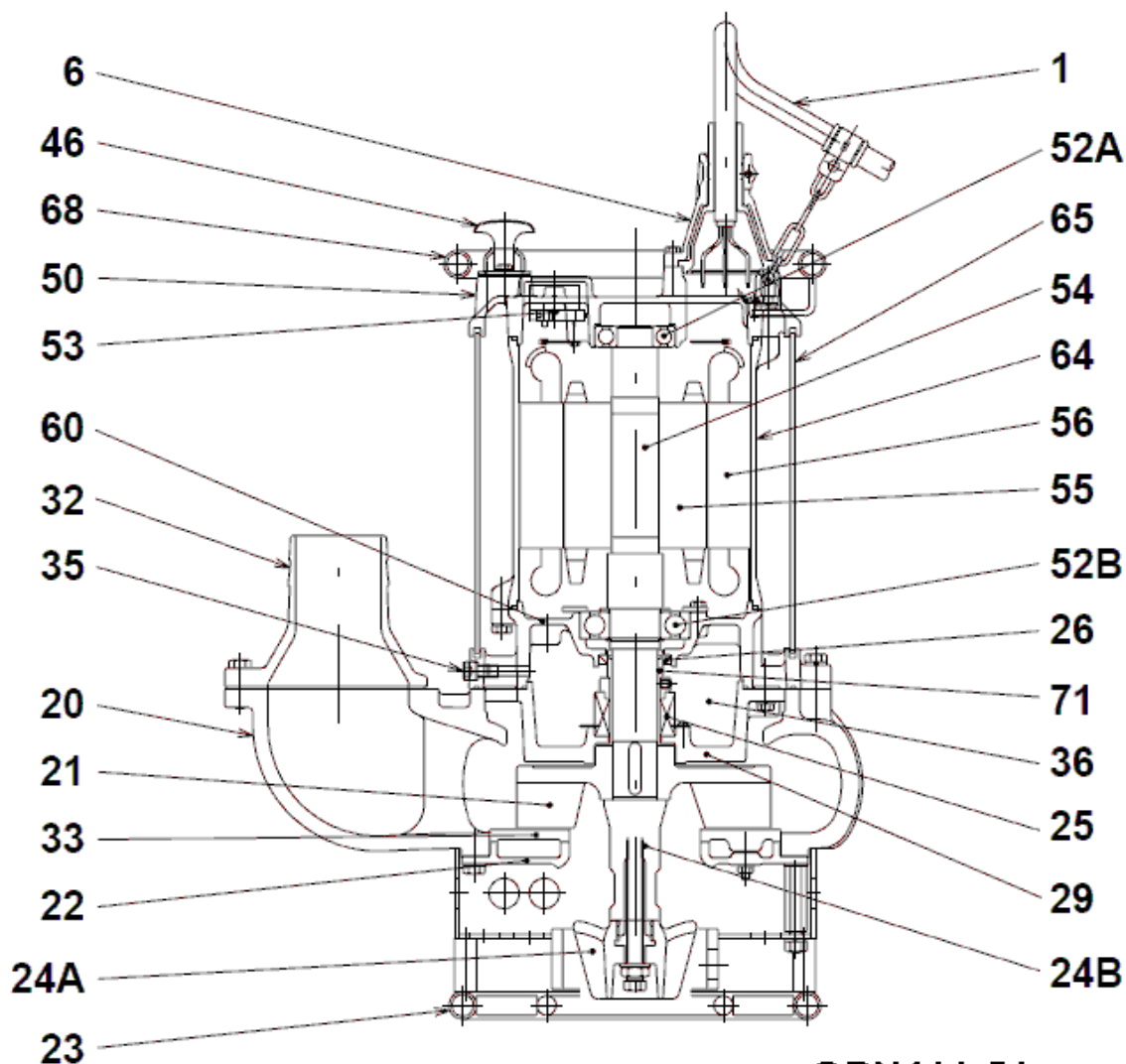
GPN411-51



GPN411-51

CWL: Continuous running water level
LWL: Lowest running water level

Sectional drawing GPN411-51



GPN411-51

No.	Description	Remark	No.	Description	Remark
1	Cable	20m NSSHÖU	52A	Upper bearing	6307ZZC3
6	Stuffing box	FC200 (EN-GJL-200)	52B	Lower bearing	6310ZZC3
20	Pump casing	FC200 (EN-GJL-200)	53	Motor Protector 380/400/415V-50Hz	KA314-HRXL00 (H.C)
21	Impeller	Chromium iron casting	54	Shaft	DIN 1.7220 (chromium molybdenum)
22	Suction cover	FC200 (EN-GJL-200)	55	Rotor	.
23	Strainer	Steel plate / steel pipe	56	Stator	.
24	Agitator	Chromium iron casting	60	Bearing Housing	FC150 (EN-GJL-150)
25	Mechanical seal	NH-50	64	Motor Frame	FC150 (EN-GJL-150)
26	Oil seal	TC-55729	65	Outer Cover	Construction steel SS400
29	Oil casing	FC200 (EN-GJL-200)	68	Handle	electroplated steel pipe
32	Discharge coupling	FC200 (EN-GJL-200)	71	Shaft protection sleeve	SUS304 (EN-X5CrNi18-10)
33	Suction cover	Chromium iron casting			
35	Oil screw	SUS304 (EN-X5CrNi18-10)			
36	Lubricant	Turbine oil (ISO VG32)			
46	Air vent valve	Steel plate			
50	Motor cover	FC150 (EN-GJL-150)			