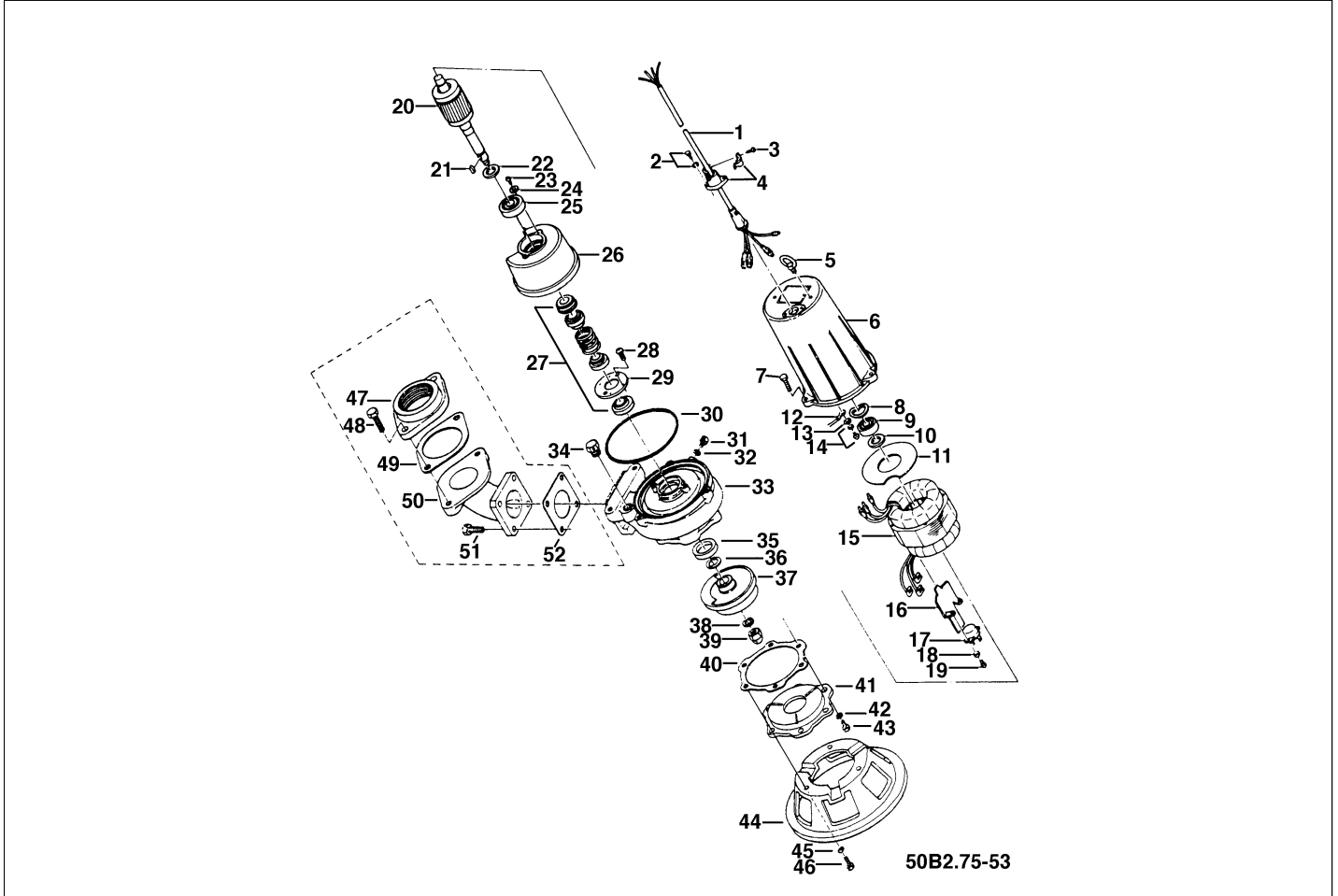


50B2.75-53

2025-03-04

Pos.no	Item no.	Description	Qty.
--------	----------	-------------	------



Pos.no	Item no.	Description	Qty.
		173-336-10	
		001-TEG-31	
		M01-TEG-31	
1	173-336-10	Packing & O-Ring Set	1
1	001-TEG-31	Cabletyre Cable Set (20m) H07RN-F4Cx1,5mm ² with gland	1
1	M01-TEG-31	Cabletyre Cable Set (20m) NSSHO 4Cx1,5mm ²	1
2	140-427-17	Hex.Bolt (w/Plain Washer) M5x15 SUS304 (EN X5CrNi18-10)	2
3	143-071-24	Tapping Screw M4x12 SUS304 (EN X5CrNi18-10) Stainless Steel	1
4	003-190-10	Gland SUS316 (EN X5Cr-Ni-Mo17-12-2)	1
5	072-105-12	Eye Bolt M8 SS	2
6	064-000-64	Motor Frame FC	1
7	140-057-12	Hex.Bolt M8x30 SUS304 (EN X5CrNi18-10) Stainless Steel	3
8	142-194-18	Wave Washer #6203 SK-5	1
9	052-102-17	Bearing 6203ZZC3	1
9	052-186-15	Bearing AC-6203ZZC3	1
10	061-152-10	Bearing Collar d17.1xd23x1.6t SPC	1
11	058-000-34	Lead Wire Protection Plate d52xd115x1t Bakelite	1
12	009-112-16	Earth Terminal 1.25mm ²	1
13	142-124-20	Plain Washer M4 SPC	1
14	143-086-22	Pan Screw (w/Spring Washer) M4x8 SWRM	1
15	056-003-31	Stator 380/400/415V-50HZ	1
16	127-226-13	Protector Fixing Plate (2nd) 8-BE2 SPC	1
17	053-465-14	Motor Protector 380/400/415V-50HZ KA311-DPXL62C (T.C)	1
18	142-124-20	Plain Washer M4 SPC	1
19	143-016-18	Pan Screw M4x12 SWRM	1
20	055-001-18	Rotor w/Bearing SUS403 (EN X6Cr13) Stainless Steel	1
21	147-040-13	Impeller Key 5x5x16t Stainless Steel	1
22	061-158-16	Bearing Collar d20.1xd28x1.6t SPC	1
23	143-028-13	Pan Screw M5x10 SWRM	1
24	062-187-17	Bearing Fixing Washer d5.5xd18x2.3t SPC	1
25	052-107-12	Bearing 6304ZZC3	1
26	060-000-64	Bearing Housing FC	1
27	025-000-99	Mechanical Seal H-20T SiC	1
28	143-070-23	Pan Screw M5x6 SWRM	1
29	030-122-15	Seal Stopper H-20 SPC	1
30	122-072-17	O-Ring P-140 NBR	1
31	035-112-17	Oil Plug M8x12 SUS304 (EN X5CrNi18-10) Stainless Steel	1
32	121-248-13	Packing d8.2xd13.5x2t PE	1
33	020-609-10	Pump Casing 8-BE2 FC	1
34	046-107-13	Air Release Valve PT-1/2 Nylon	1
35	026-107-11	Oil Seal DD-32488 (NBR)	1
36	040-104-25	Impeller Shim d18.2xd29x0.3t SUS304 (EN X5CrNi18-10) Stainless Steel	1
37	021-720-11	Impeller (50Hz) FC	1

50B2.75-53

Kontroll-Nr. --

2025-03-04 V.01.02.2025

Pos.no	Item no.	Description	Qty.
38	142-165-10	Spring Washer M12 SUS304 (EN X5CrNi18-10) Stainless Steel	1
39	141-118-15	Hex.Cap Nut M12(H=15.5) SUS304 (EN X5CrNi18-10) Stainless Steel	1
40	120-145-16	Packing (S.Cover) d112xd129x0.3t PE	1
41	022-569-13	Suction Cover 8-BE2 FC	1
42	142-163-21	Spring Washer M8 SUS316 (DIN 1.4401) Stainless Steel	1
43	140-051-16	Hex.Bolt M8x15 SUS304 (EN X5CrNi18-10) Stainless Steel	1
44	023-001-25	Strainer Stand No.1 FCD	1
45	142-163-21	Spring Washer M8 SUS316 (DIN 1.4401) Stainless Steel	1
46	140-055-10	Hex.Bolt M8x25 SUS304	1
47	048-104-16	Screwed Flange 50mm(P.C.140) FC	1
48	140-099-16	Hex.Bolt M12x40 SUS304	1
49	121-137-18	Packing (Screwed Flange) MBT(P.C.140) NBR	1
50	037-117-18	Discharge Bend 50mm(122-16) FC	1
51	140-078-19	Hex.Bolt M10x30 SUS304	1
52	121-142-16	Packing (Discharge Bend) 90mm2(P.C.98) NBR	1
	173-336-10	Packing & O-Ring Set	1
	##oilVG32	ml Turbine Oil ISO VG32	420